



MONO-CARTE 2841/2842

- planche 1: sommaire
- planche 2: connectique
- planche 3: alimentation
- planche 4: alimentation
- planche 5: CPU divers
- planche 6: CPU MPC823e
- planche 7: CPU SDRAM
- planche 8: CPU Flash
- planche 9: CPU codec
- planche 10: CPU codec
- planche 11: interface Centronics
- planche 12: Clavier, NEC
- planche 13: Interface ligne A
- planche 14: Interface ligne B
- planche 15: ITF ligne divers
- planche 16: codec ligne
- planche 17: codec ligne
- planche 18: DSP 320C5402

PISTAGE 1,9G PCB 3BN62190 AAAE

ALCATEL FORM			
ED	DATE	01	2000 05 23
CHANGE NOTE	PCB 1.9G AAAE		
APPRO.AUTHO.	H.Rinie		
ORIGINATOR	Web Hard Team		
	Main Board WEB 2841/2842 1.9G EQUIP. GENERIQUE PISTAGE	SUMMARY	
		3BN 63190 ABAAE ECZZA	1/18

All rights reserved. Passing on and copying of this document, use and communication of its contents not permitted without written authorization.

1AA 00014 0002 (0007) A2

TRANSFO SECTEUR

X201	sheet 3/18
1	ALT1
2	ALT1
3	
4	
5	ALT2
6	ALT2

CLAVIER COQUE (2841)

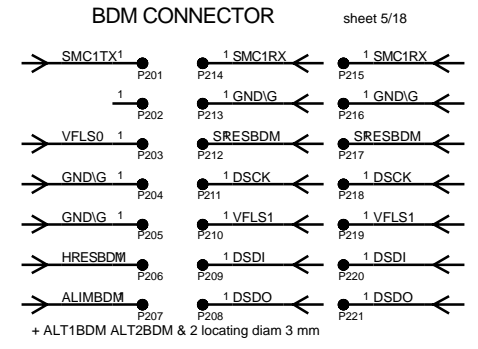
X1009	sheet 12/18
1	Col0
2	Col1
3	Col2
4	Col3
5	Col4
6	Col5
7	Col6
8	Col7
9	Li0
10	Li1
11	Li2
12	Led0
13	Led1
14	Led2
15	Led3
16	Led4
17	Led5
18	Led6
19	A7VIG
20	A7VIG

LINE CONNECTOR 2841 (ARR)

X209	sheet 13&14/18
2	L2_B
3	L2_A
4	L1_A
5	L1_B

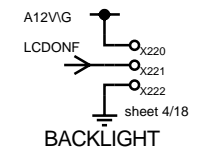
LINE CONNECTOR 2842 (BAS)

X211	sheet 13/18
1	
2	
3	L1_A
4	L2_A
5	
6	



DUNOQUETTE 2841 (ARR)

X212	sheet 13/18
2	
3	L2_D
4	L1_D
5	

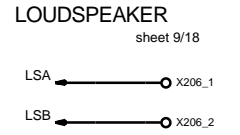
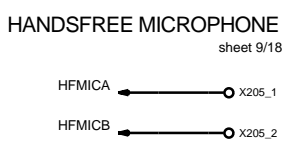
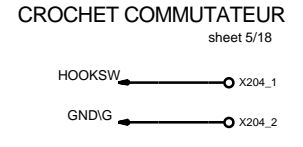


CLAVIER EXTRACTIBLE (2841) COQUE (2842)

X1010	sheet 12/18
1	Led5
2	Led6
3	Col0
4	Col1
5	Li0
6	Col2
7	Col3
8	Li3
9	Col4
10	Col5
11	Col6
12	Col7
13	Li4
14	Li5
15	Li6
16	Li7
17	Li8
18	Li9
19	Li10
20	Led7
21	A7V_CLAV
22	A7V_CLAV

DSP sheet 18/18

X210	DSP		sheet 18/18
A1	JTAGTMS	B1	JTAGTRST
A2	JTAGTDI	B2	GNDIG
A3	A3V3IG	B3	
A4	JTAGTDO	B4	GNDIG
A5	JTAGTCK	B5	GNDIG
A6	JTAGTCK	B6	GNDIG
A7	JTAGEMU0	B7	JTAGEMU1



LCD SCREEN

X203	sheet 5&6/18
1	TS2
2	TS1
3	GNDIG
4	PWMBF
5	GNDIG
6	A3V3IG
7	A3V3IG
8	LCDON
9	LCDF<7>
10	LCDF<6>
11	LCDF<5>
12	LCDF<4>
13	LCDF<3>
14	LCDF<2>
15	LCDF<1>
16	LCDF<0>
17	GNDIG
18	CL2F
19	GNDIG
20	CL1F
21	GNDIG
22	FLMF
23	GNDIG
24	GNDIG
25	Y+
26	X-
27	Y-
28	X+

PRINTER sheet 11/18

X208	PRINTER		sheet 11/18
1	nStrobe	14	nAutoFd
2	Data1	15	nFault
3	Data2	16	nInit
4	Data3	17	nSelectIn
5	Data4	18	GNDIG
6	Data5	19	GNDIG
7	Data6	20	GNDIG
8	Data7	21	GNDIG
9	Data8	22	GNDIG
10	nACK	23	GNDIG
11	Busy	24	GNDIG
12	PError	25	GNDIG
13	Select	26/GND1	GNDIG
		27/GND2	GNDIG

BACKLIGHT

X223	
1	CCFL1
2	CCFL2

HANDSET sheet 10/18

X207	sheet 10/18
1	Mic_comb_n
2	Ecouteur_0
3	Ecouteur_1
4	Mic_comb_p

SMART CARD CONNECTOR sheet 12/18

X215			sheet 12/18
A1	VCC_CARD	B1	VCC_CARD
A2	RST_CARD	B2	RST_CARD
A3	CKL_CARD	B3	CKL_CARD
A4	AUX1_CARD	B4	AUX1_CARD
A5	GNDIG	B5	GNDIG
A6	TBD	B6	TBD
A7	DATA_CARD	B7	DATA_CARD
A8	AUX2_CARD	B8	AUX2_CARD
		B9	GNDIG
		B10	PRES_CARD

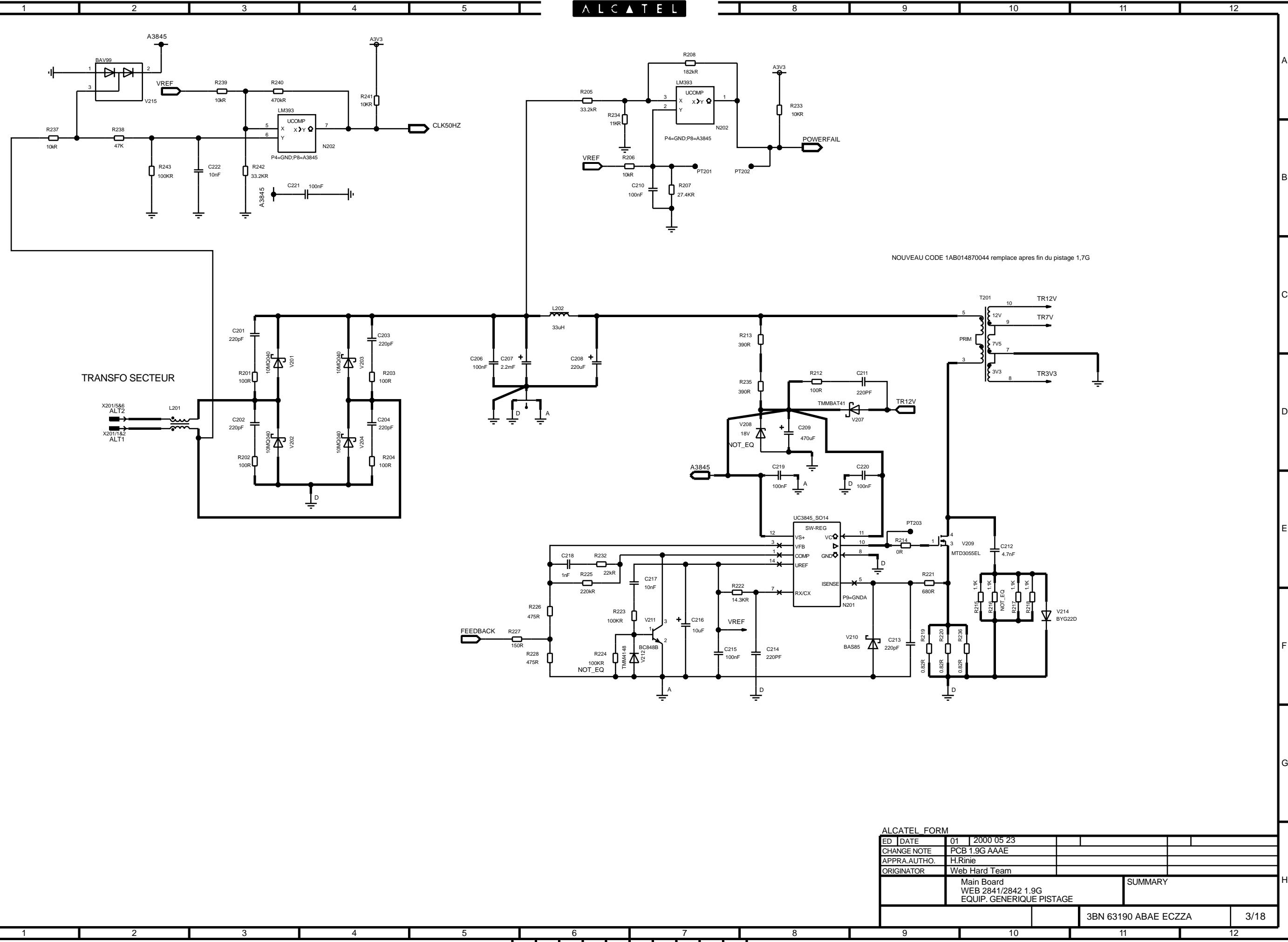
TOUCH PANEL sheet 12/18

ALCATEL FORM

ED	DATE	01	2000 05 23
CHANGE NOTE	PCB 1.9G AAAE		
APPRA.AUTHO.	H.Rinie		
ORIGINATOR	Web Hard Team		
	Main Board WEB 2841/2842 1.9G EQUIP. GENERIQUE PISTAGE		SUMMARY
			3BN 63190 ABAAE ECZZA
			2/18

1AA 0014 0002 (0007) A2

All rights reserved. Passing on and copying of this document, use and communication of its contents not permitted without written authorization.



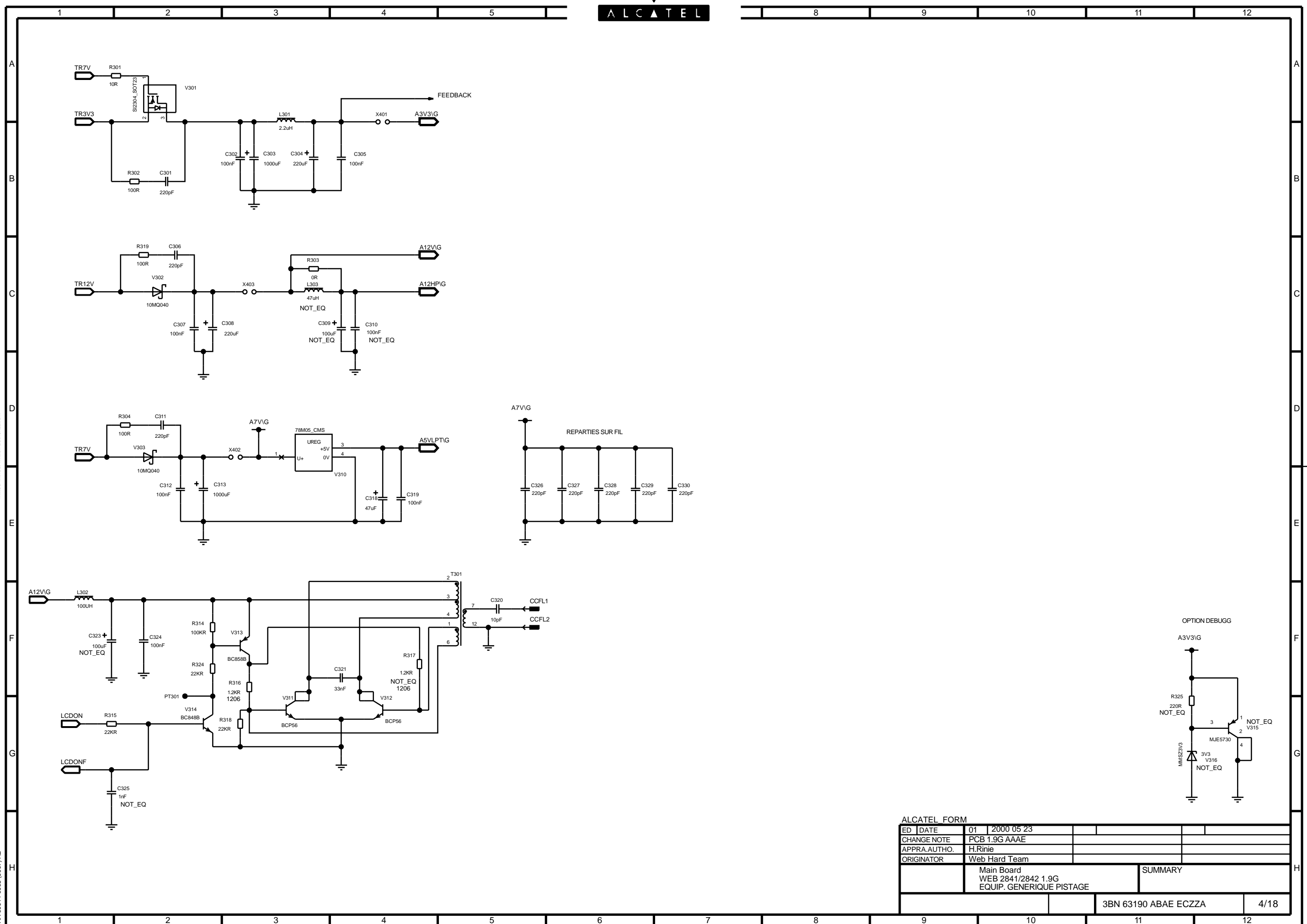
NOUVEAU CODE 1AB014870044 remplace apres fin du pistage 1,7G

All rights reserved. Passing on and copying of this document, use and communication of its contents not permitted without written authorization.

1AA-00014-0003 (0007) A2

ALCATEL FORM			
ED	DATE	01	2000 05 23
CHANGE NOTE	PCB 1.9G AAAE		
APPRO.AUTHO.	H.Rinie		
ORIGINATOR	Web Hard Team		
Main Board WEB 2841/2842 1.9G EQUIP. GENERIQUE PISTAGE			SUMMARY
3BN 63190 ABAE ECZZA			3/18

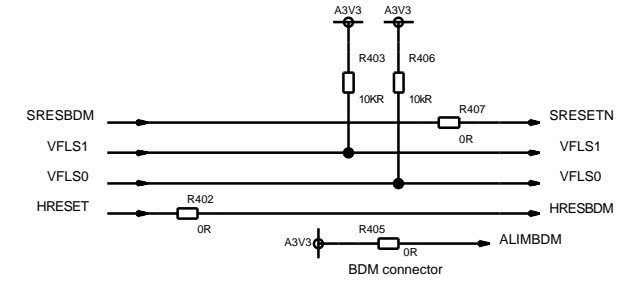
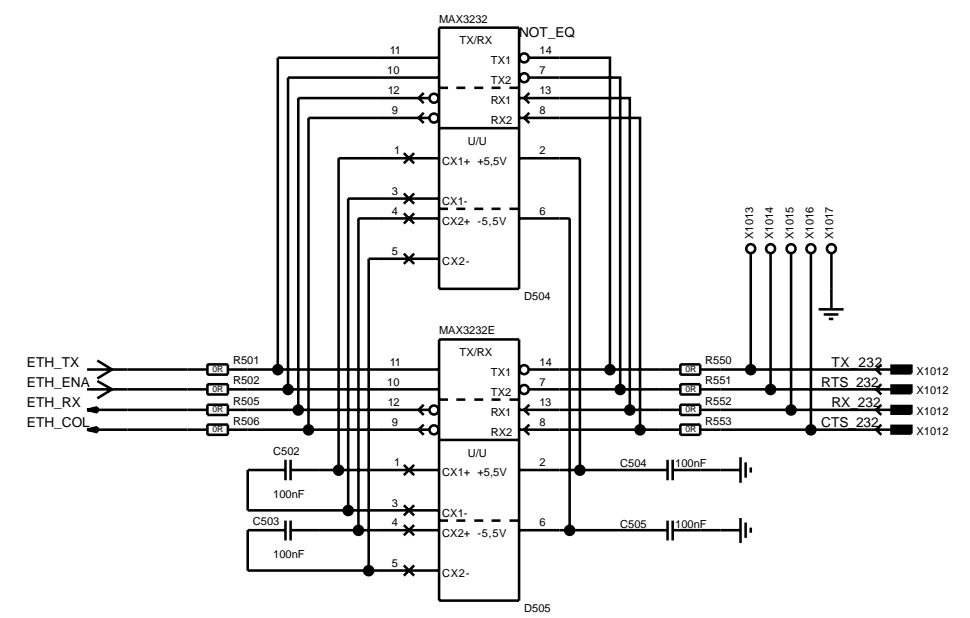
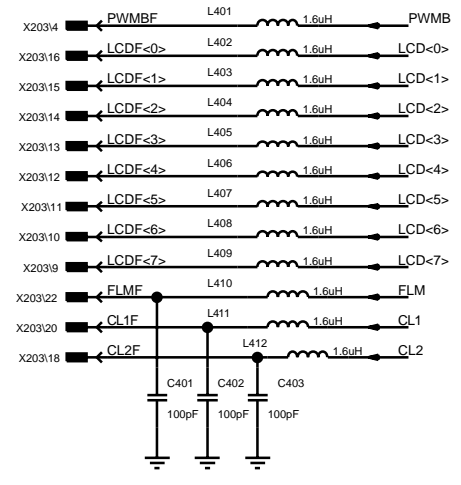
All rights reserved. Passing on and copying of this document, use and communication of its contents not permitted without written authorization.



ALCATEL FORM			
ED	DATE	01	2000 05 23
CHANGE NOTE	PCB 1.9G AAAE		
APPRO.AUTHO.	H.Rinie		
ORIGINATOR	Web Hard Team		
		Main Board WEB 2841/2842 1.9G EQUIP. GENERIQUE PISTAGE	SUMMARY
		3BN 63190 ABAAE ECZZA	4/18

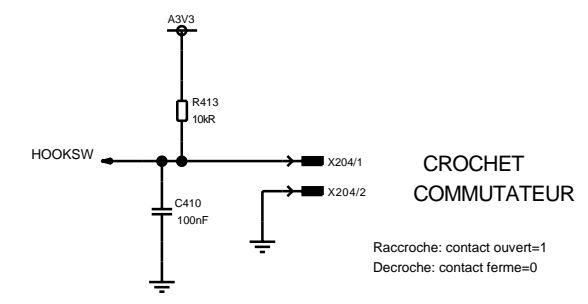
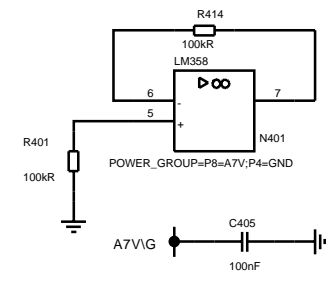
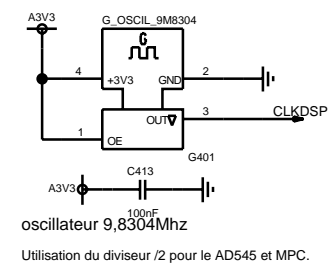
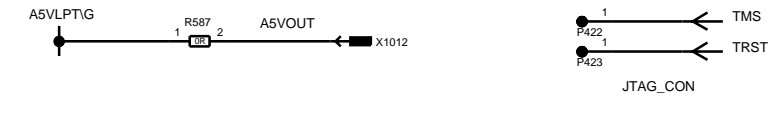
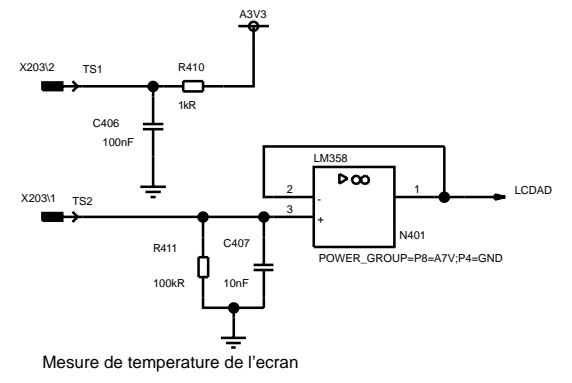
1AA 00014 0003 (0007) A2

LCD SCREEN



1AB023320009	
1	TX_232
2	RX_232
3	GNDIG
4	A5VOUT
5	RTS_232
6	CTS_232
7/GND1	GNDIG
8/GND2	GNDIG
9/GND3	GNDIG

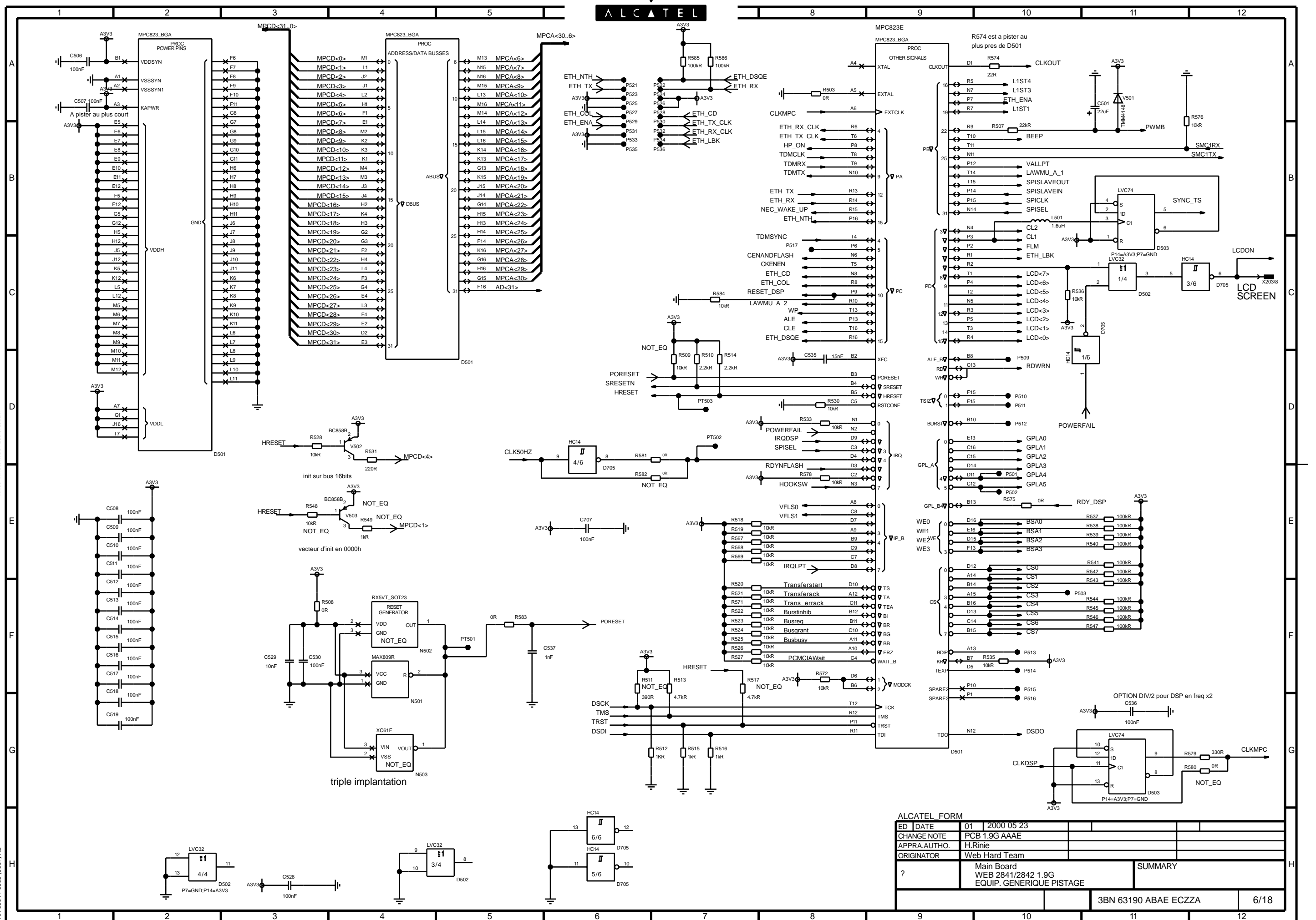
X1012



ALCATEL FORM			
ED	DATE	01	2000 05 23
CHANGE NOTE	PCB 1.9G AAAE		
APPROV.AUTHO.	H.Rinie		
ORIGINATOR	Web Hard Team		
Main Board		SUMMARY	
WEB 2841/2842 1.9G			
EQUIP. GENERIQUE PISTAGE			
3BN 63190 ABAAE ECZZA			5/18

All rights reserved. Passing on and copying of this document, use and communication of its contents not permitted without written authorization.

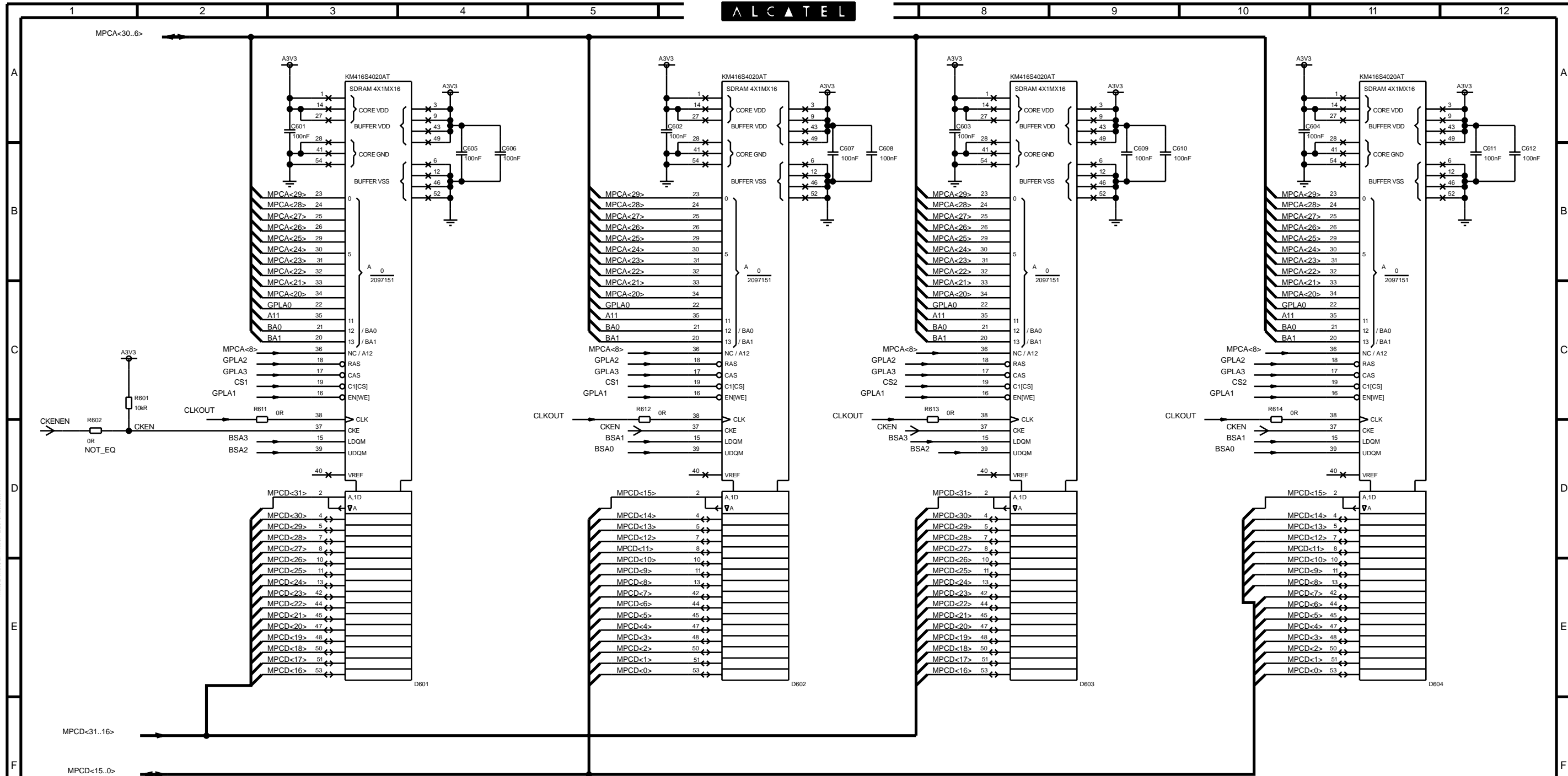
1AA 0014 0002 (0007) A2



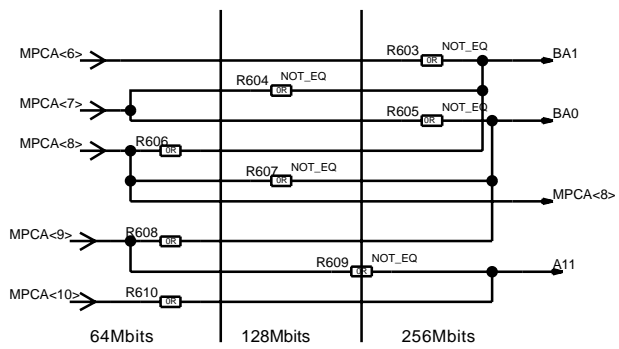
All rights reserved. Passing on and copying of this document, use and communication of its contents not permitted without written authorization.

1AA 0014 0002 (0007) A2

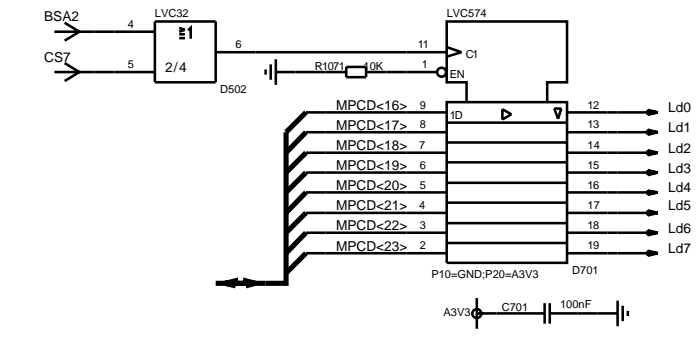
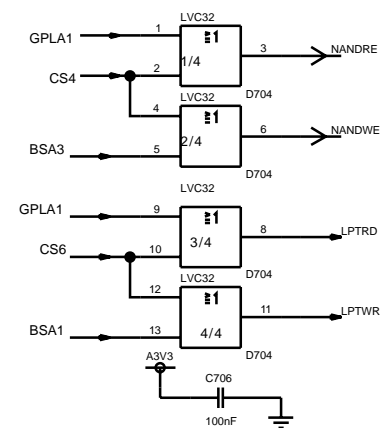
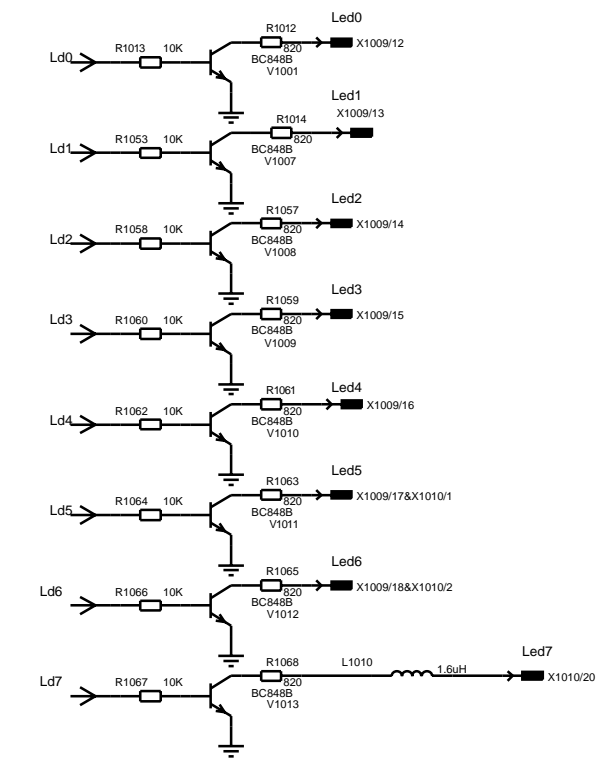
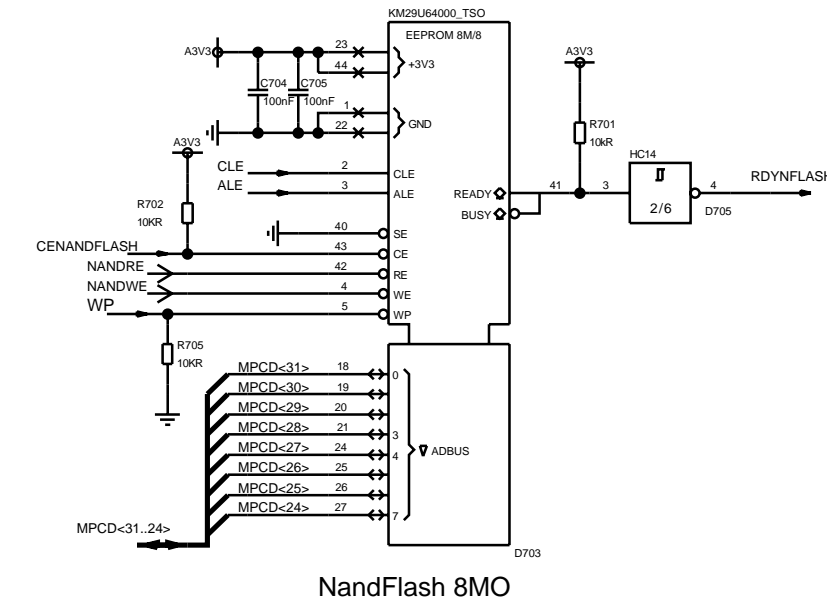
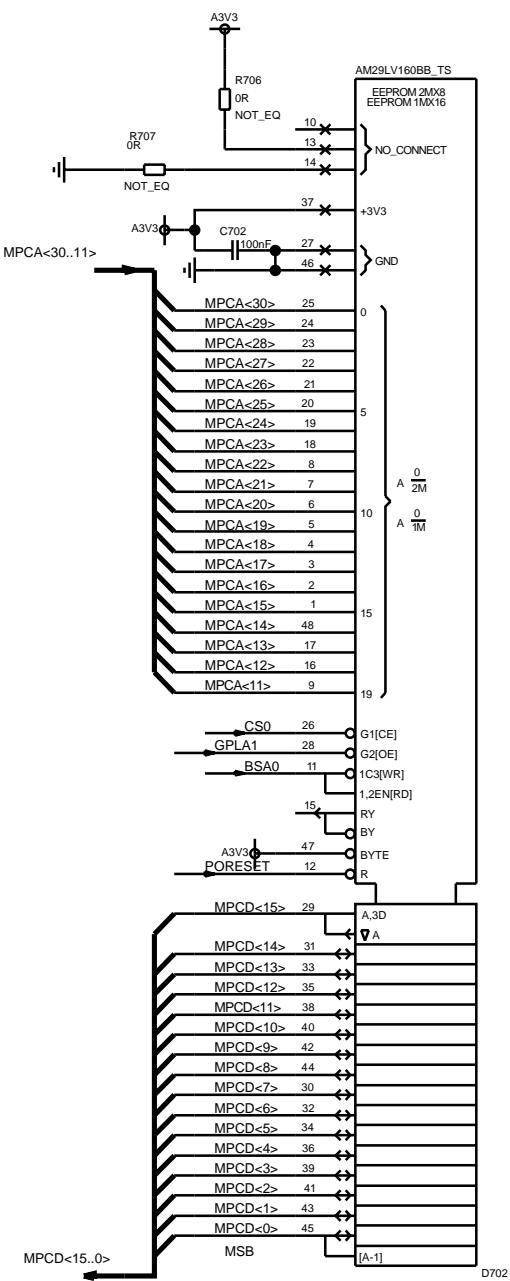
ALCATEL FORM	
ED DATE	01 2000 05 23
CHANGE NOTE	PCB 1.9G AAAE
APPROVAUTHO.	H.Rinie
ORIGINATOR	Web Hard Team
?	Main Board WEB 2841/2842 1.9G EQUIP. GENERIQUE PISTAGE
SUMMARY	
3BN 63190 ABAAE ECZZA	
6/18	



All rights reserved. Passing on and copying of this document, use and communication of its contents not permitted without written authorization.



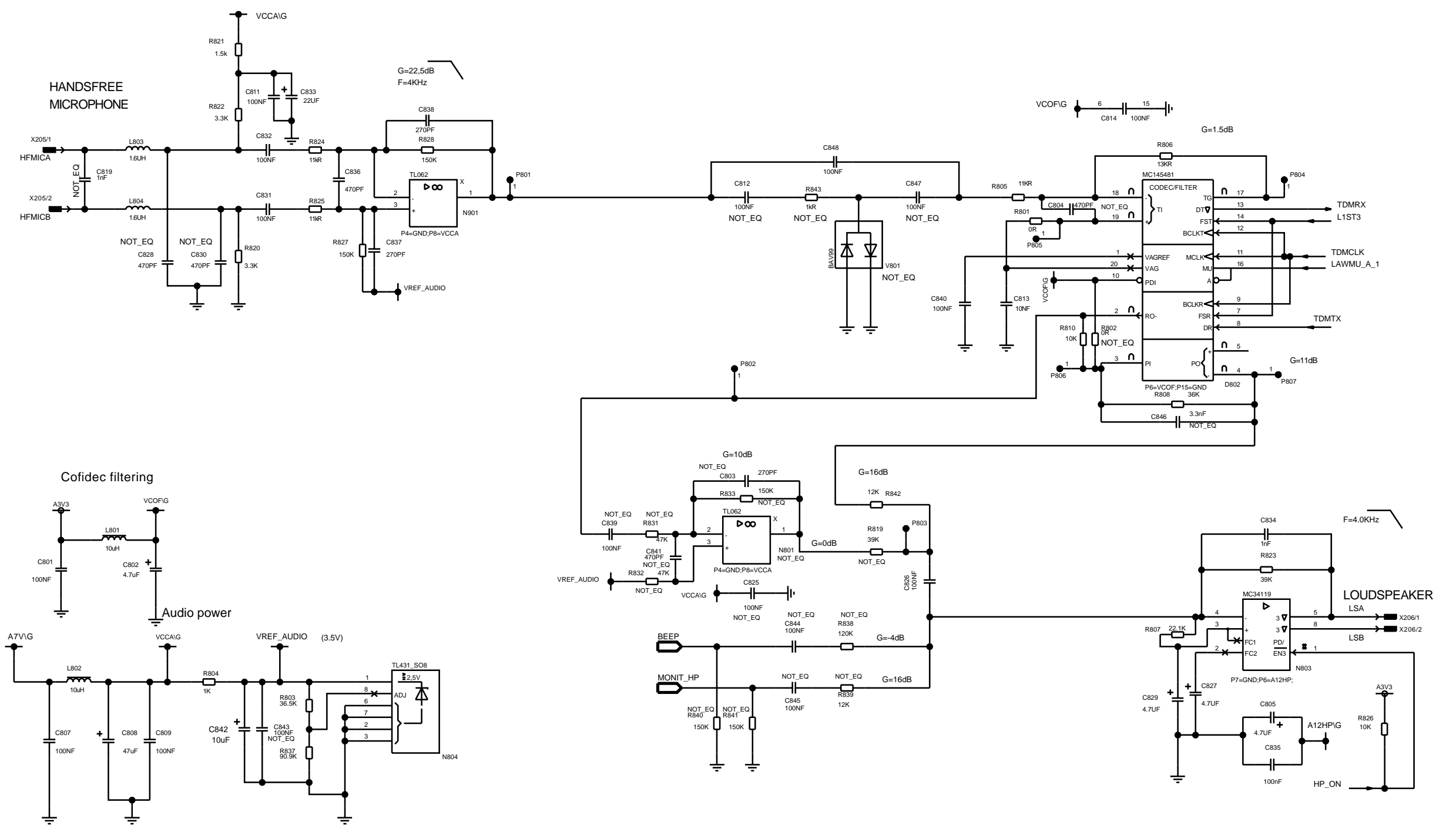
ALCATEL FORM			
ED	DATE	01	2000 05 23
CHANGE NOTE	PCB 1.9G AAAE		
APPRO.AUTHO.	H.Rinie		
ORIGINATOR	Web Hard Team		
?	Main Board WEB 2841/2842 1.9G EQUIP. GENERIQUE PISTAGE		SUMMARY
			3BN 63190 ABAAE ECZZA
			7/18



ALCATEL FORM			
ED	DATE	01	2000 05 23
CHANGE NOTE	PCB 1.9G AAAE		
APPRO.AUTHO.	H.Rinie		
ORIGINATOR	Web Hard Team		
Main Board		SUMMARY	
WEB 2841/2842 1.9G			
EQUIP. GENERIQUE PISTAGE			
3BN 63190 ABAAE ECZZA			8/18

1AA 00014 0003 (0007) A2

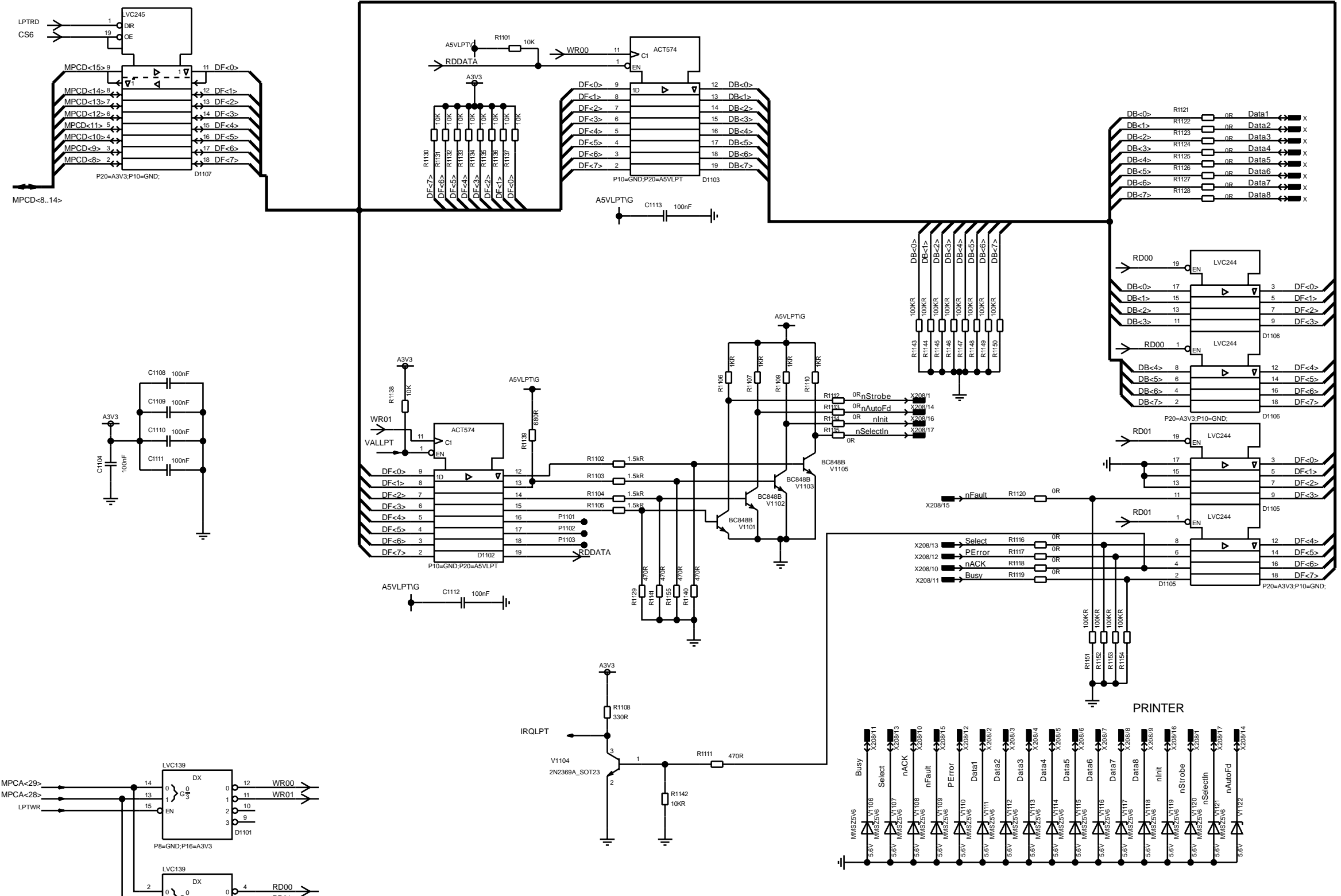
All rights reserved. Passing on and copying of this document, use and communication of its contents not permitted without written authorization.



All rights reserved. Passing on and copying of this document, use and communication of its contents not permitted without written authorization.

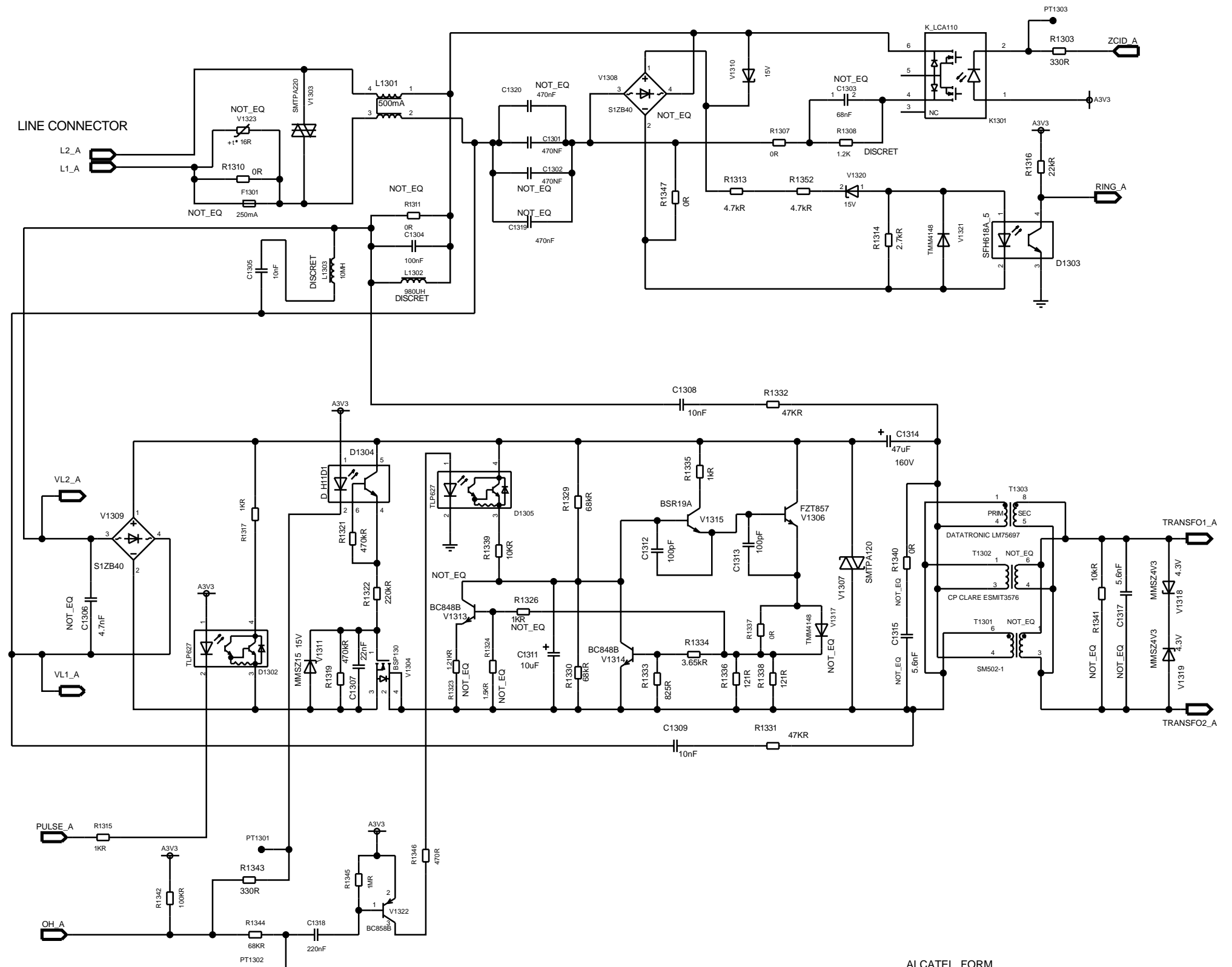
1AA 0014 0002 (0007) A2

ALCATEL FORM	
ED DATE	01 2000 05 23
CHANGE NOTE	PCB 1.9G AAAE
APPRO.AUTHO.	H.Rinie
ORIGINATOR	Web Hard Team
Main Board WEB 2841/2842 1.9G EQUIP. GENERIQUE PISTAGE	
SUMMARY	
3BN 63190 ABAA ECZZA	
9/18	



ALCATEL FORM	
ED DATE	01 2000 05 23
CHANGE NOTE	PCB 1.9G AAAE
APPRO.AUTHO.	H.Rinie
ORIGINATOR	Web Hard Team
Main Board WEB 2841/2842 1.9G EQUIP. GENERIQUE PISTAGE	
SUMMARY	
3BN 63190 ABAAE ECZZA	
11/18	

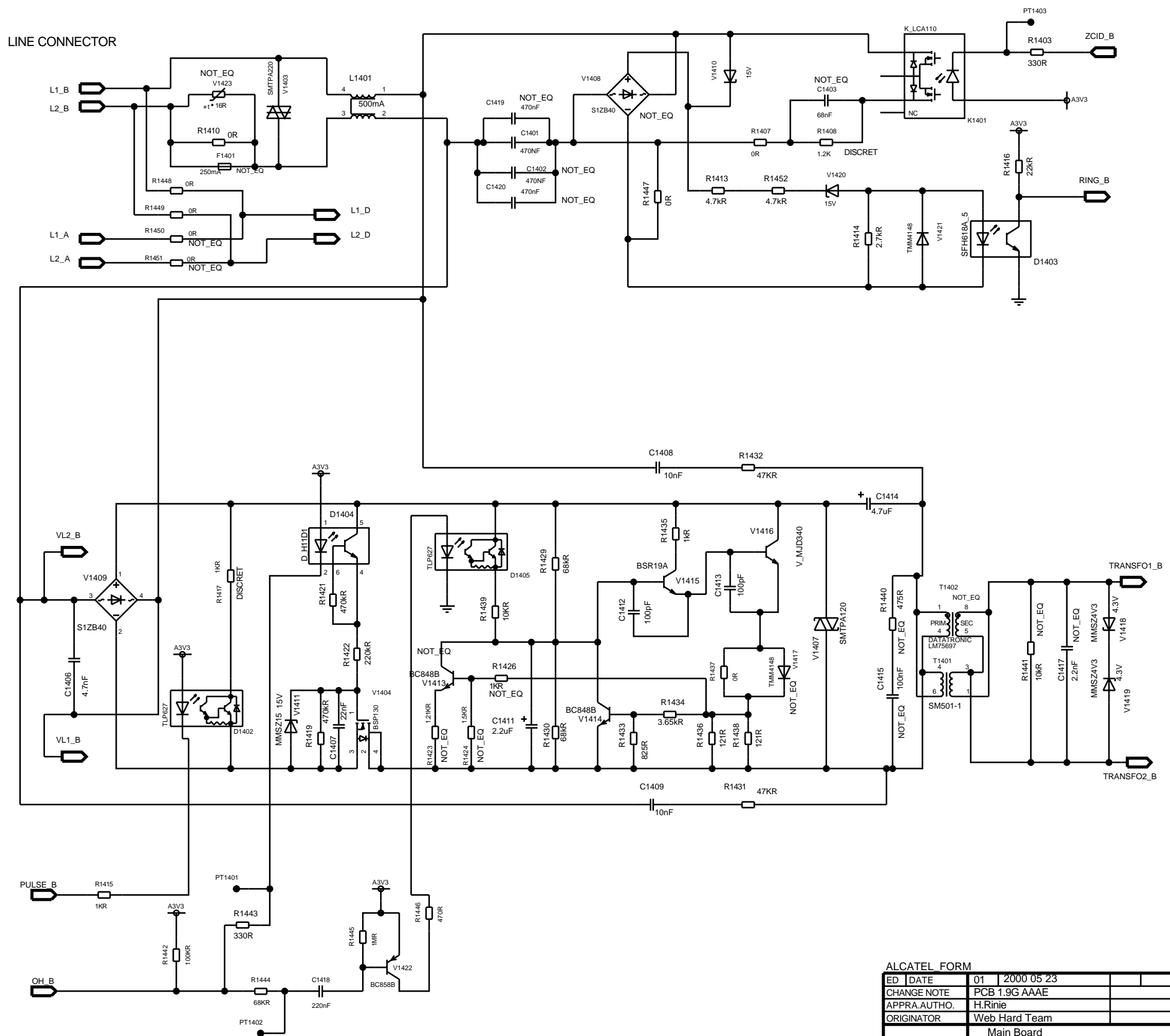
All rights reserved. Passing on and copying of this document, use and communication of its contents not permitted without written authorization.



All rights reserved. Passing on and copying of this document, use and communication of its contents not permitted without written authorization.

1AA 0014 0003 (0007) A2

ALCATEL FORM	
ED DATE	01 2000 05 23
CHANGE NOTE	PCB 1.9G AAAE
APPRO.AUTHO.	H.Rinie
ORIGINATOR	Web Hard Team
Main Board WEB 2841/2842 1.9G EQUIP. GENERIQUE PISTAGE	
SUMMARY	
3BN 63190 ABAE ECZZA	
13/18	

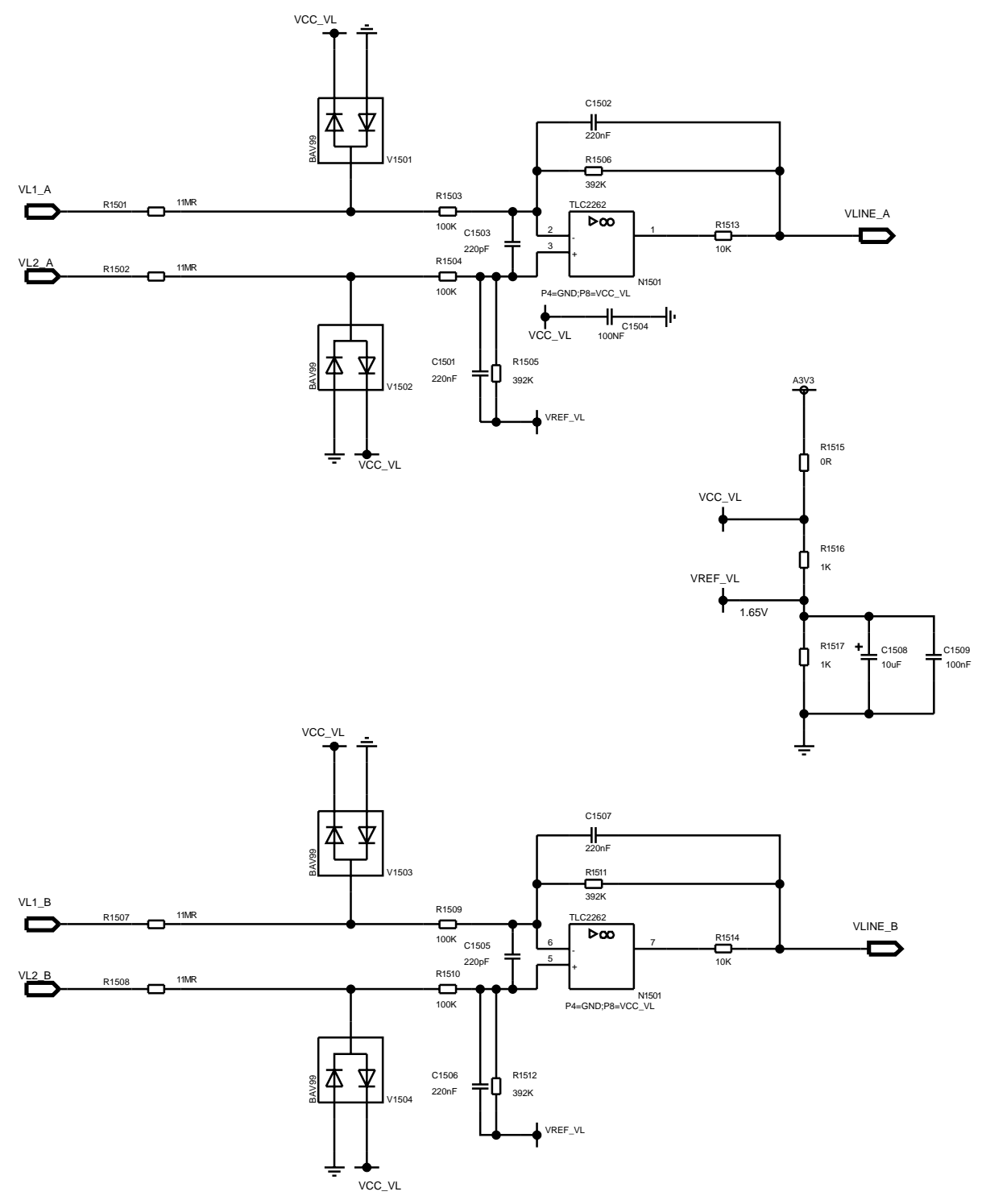


ALCATEL FORM

ED	DATE	01	2000 05 23
CHANGE NOTE	PCB 1.9G AAAE		
APPRO.AUTHO.	H.Rinie		
ORIGINATOR	Web Hard Team		
	Main Board WEB 2841/2842 1.9G EQUIP. GENERIQUE PISTAGE		SUMMARY
	3BN 63190 ABAAE ECZZA		14/18

All rights reserved. Passing on and copying of this document, use and communication of its contents not permitted without written authorization.

1AA 00014 0003 (0007) A2

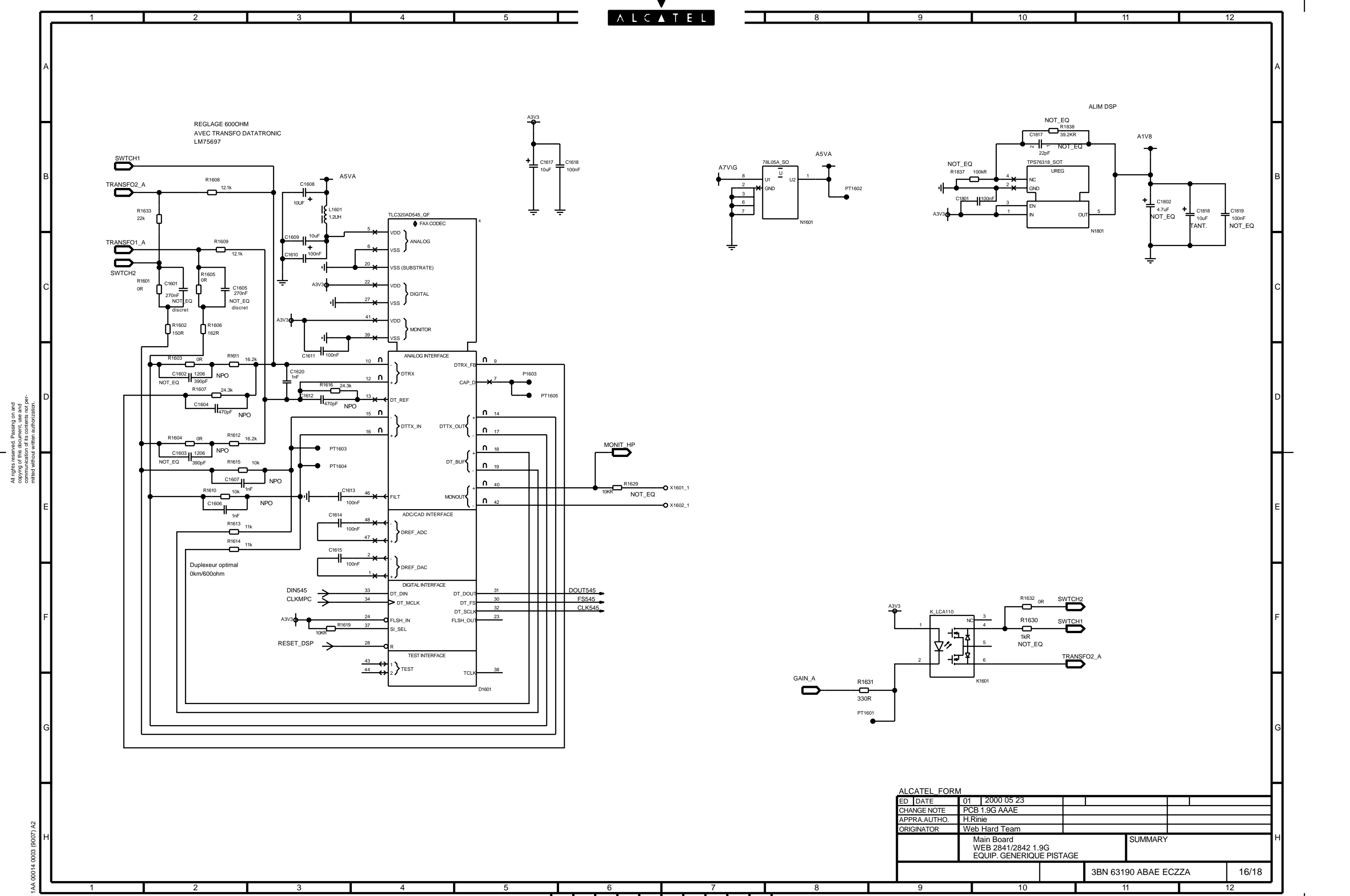


All rights reserved. Passing on and copying of this document, use and communication of its contents not permitted without written authorization.

1AA 00014 0002 (0007) A2

ALCATEL FORM

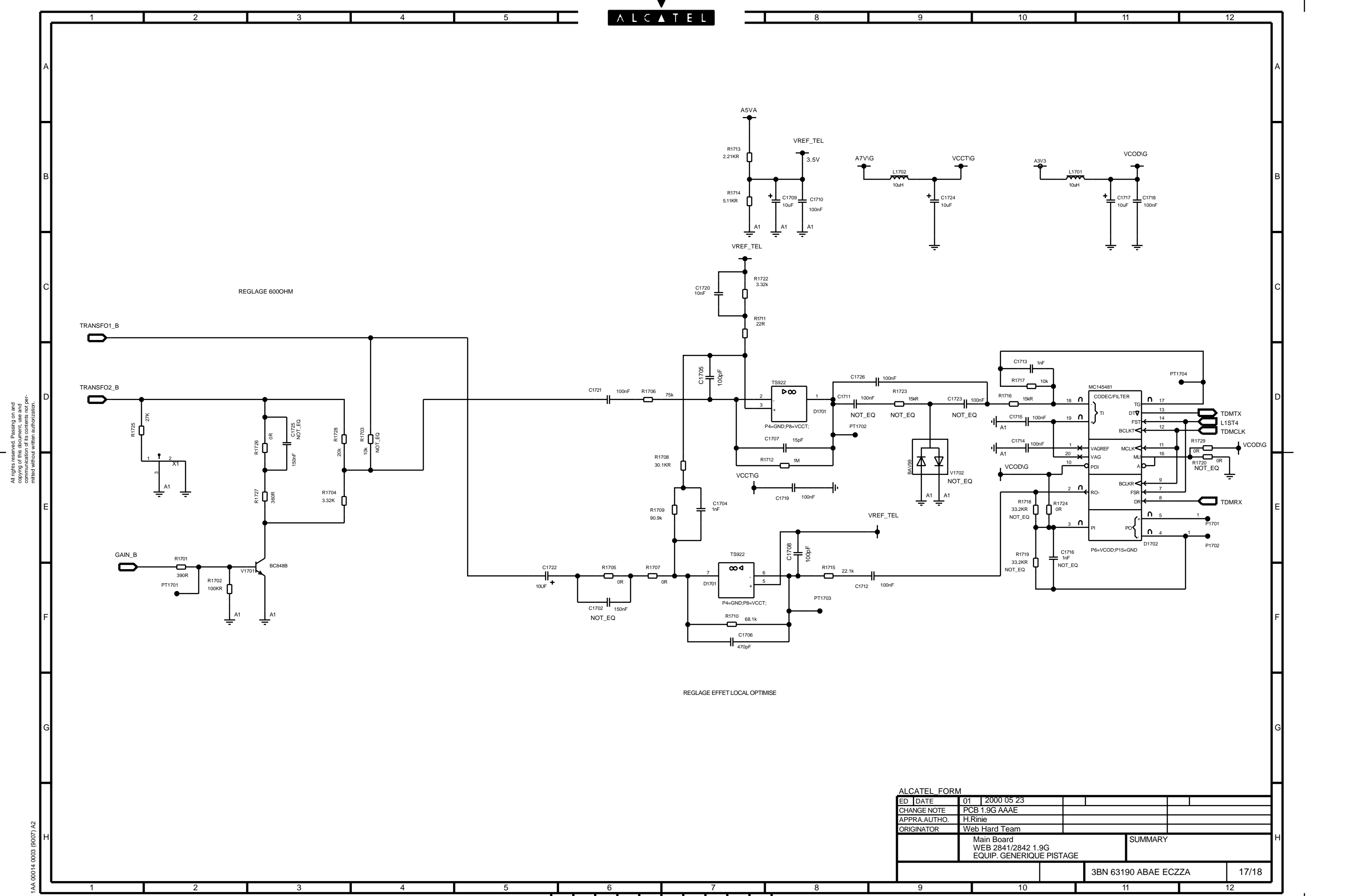
ED	DATE	01	2000 05 23		
CHANGE NOTE	PCB 1.9G AAAE				
APPROV. AUTHO.	H.Rinie				
ORIGINATOR	Web Hard Team				
	Main Board WEB 2841/2842 1.9G EQUIP. GENERIQUE PISTAGE			SUMMARY	
			3BN 63190 ABAE ECZZA		15/18



All rights reserved. Passing on and copying of this document, use and communication of its contents not permitted without written authorization.

1AA 00014 0002 (0007) A2

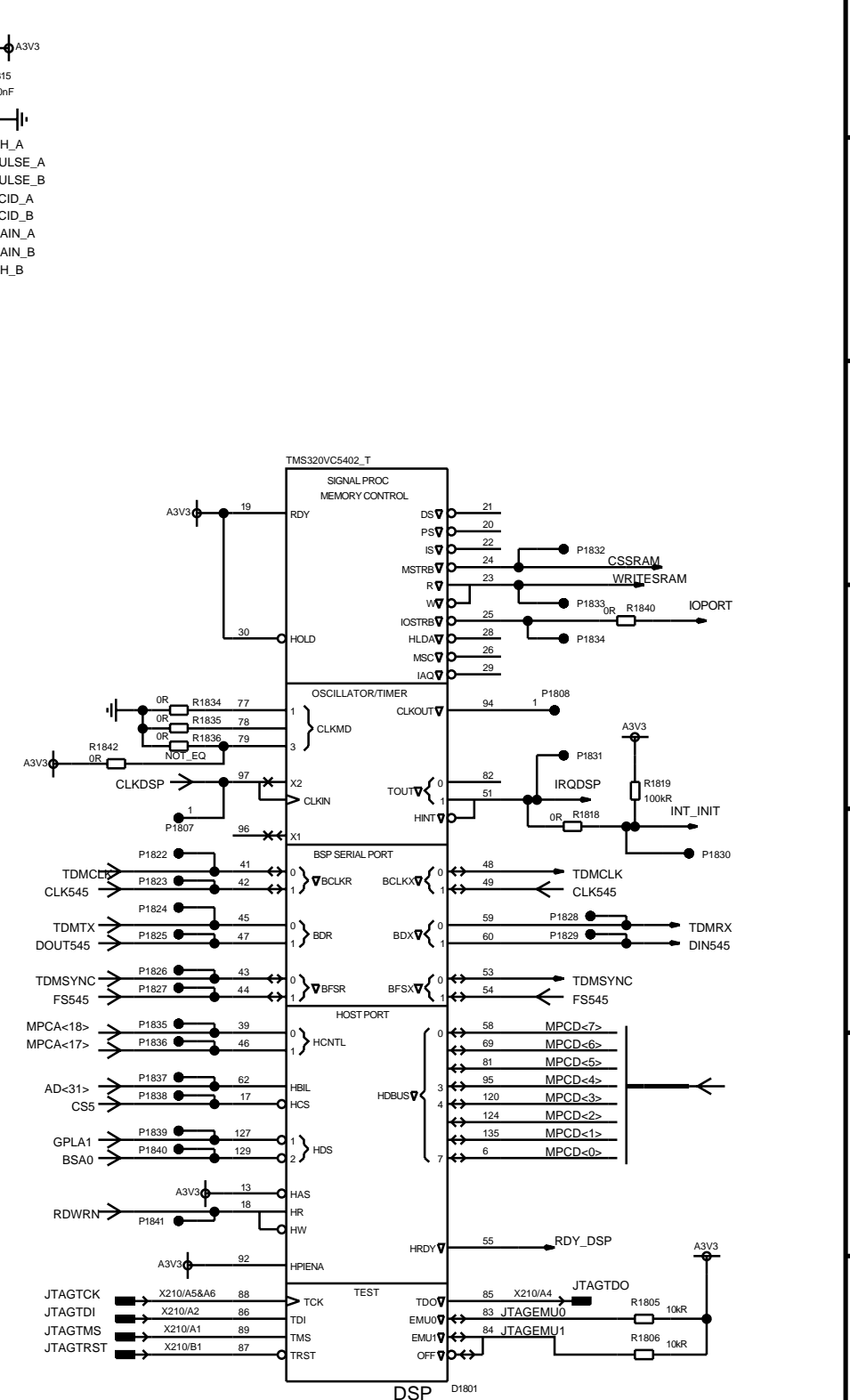
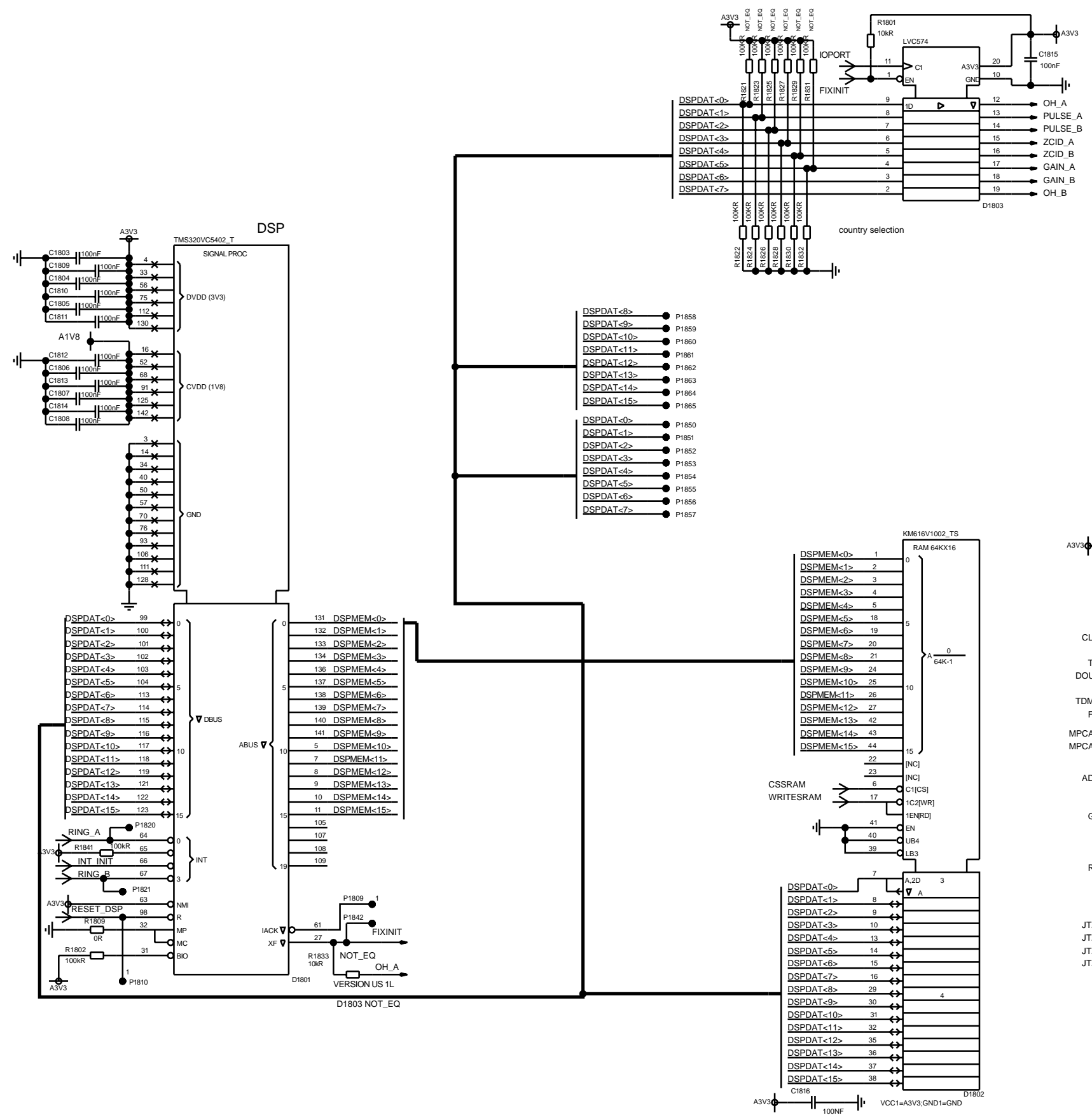
ALCATEL FORM			
ED	DATE	01	2000 05 23
CHANGE NOTE	PCB 1.9G AAAE		
APPRO.AUTHO.	H.Rinie		
ORIGINATOR	Web Hard Team		
Main Board		SUMMARY	
WEB 2841/2842 1.9G		EQUIP. GENERIQUE PISTAGE	
3BN 63190 ABAAE ECZZA			16/18



All rights reserved. Passing on and copying of this document, use and communication of its contents not permitted without written authorization.

1AA-00014-0003 (0007) A2

ALCATEL FORM	
ED	DATE 01 2000 05 23
CHANGE NOTE	PCB 1.9G AAAB
APPRO.AUTHO.	H.Rinie
ORIGINATOR	Web Hard Team
Main Board WEB 2841/2842 1.9G EQUIP. GENERIQUE PISTAGE	
SUMMARY	
3BN 63190 ABAB ECZZA	
17/18	



ALCATEL FORM	
ED / DATE	01 / 2000 05 23
CHANGE NOTE	PCB 1.9G AAAE
APPRO. AUTHO.	H.Rinie
ORIGINATOR	Web Hard Team
Main Board WEB 2841/2842 1.9G EQUIP. GENERIQUE PISTAGE	
SUMMARY	
3BN 63190 ABAE ECZZA	
18/18	

All rights reserved. Passing on and copying of this document, use and communication of its contents not permitted without written authorization.